

20W Mini Wall Pack

Powerful performance in an attractive package
Ideal for security lighting, commercial entrances and more



Built in photocell can be bypassed
with quick connect plug

1/2" NPT plugs
for conduit or controls

Quality aluminum
construction with bronze
powder coat finish



Can be quickly installed with,
or without octogan box

Low glare, frosted
polycarbonate lens

TECHNICAL DATA



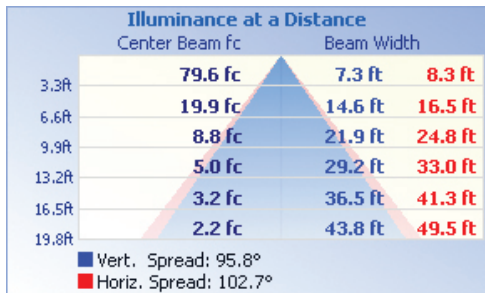
LIGHT SPECIFICATIONS

Lumens	2,584 lm
Efficacy	127.22 lm/W
CCT	4000K
CRI	83
L70 Life	50,000
Dimmable	No
Warranty	5-year

APPROVALS AND LISTINGS

cUL	E482965
DLC	PLR1DX9YTF32

ILLUMINANCE AT A DISTANCE



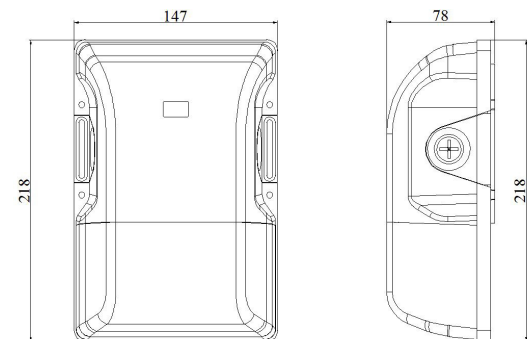
ELECTRICAL

Wattage	20W
Voltage	100-277V
Power factor	0.92
THD	15.35%
Operating temp	-20 to 45°C

CONSTRUCTION

Housing	Aluminum
Finish colour	Bronze
IP rating	IP65
Weight	1.98 lbs
Carton qty	10

DIMENSIONS



ISOCANDELA PLOT

