

LUMINOUS ZONE1 LED SHOEBOX

FEATURES

- High Luminous Efficacy 128 lm/W+
- Multiple Mounts Available

APPLICATIONS

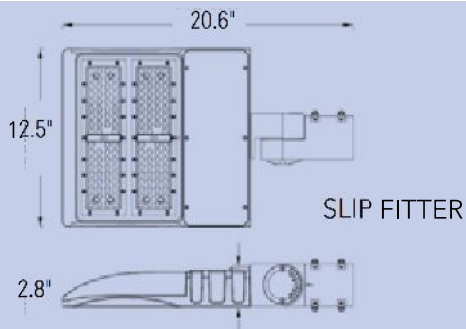
- Outdoor Pole Mounted

REPLACES

- 250W
- 400W



ZONE 1 60W, 90W, 120W & 150W



info@bcledonline.com bcledonline.com 250-718-8100

PRODUCT SPECIFICATIONS

CRI (ra)	>80
Rated Life (Hours)	50,000+
Warranty	5 Years
Certification	UL, cUL, DLC
Operating Temperature	-4°F - 113°F
IP Rating	65

ORDERING INFORMATION

EXAMPLE: ZONE1-02-120W-UNV-50KT3-SF

Model	Series	Wattage	Voltage	Color Temperature	Optics	Performance	Mount
ZONE1	02	60W (8,474lm, 141 lm/W) 90W (12,412 lm, 138 lm/W) 120W (16,055lm, 133 lm/W) 150W (20,060lm, 128 lm/W) 150W (19,355lm, 130 lm/W) 150W (18,786lm, 130 lm/W)	UNV (120v-277v) UNVM (120-277V) 480 (347-480v)	40K (4000K) 50K (5000K STD) 57K (5700K)	T3	blank (STD Performance) DP (HIGH Performance)*	SF (Slip Fitter) DM (Direct Mount) YM (Yoke Mount) FM (Flood Mount) IM (Insert Mount) TM (TM Mount)

Bold Option Denotes 480V

* High Performance only available in 150W UNV model, DLC Premium



Qualified pointing straight down



info@bcledonline.com bcledonline.com 250-718-8100

LUMINOUS ZONE2 LED SHOEBOX



FEATURES

- High Luminous Efficacy 128 lm/W+
- Multiple Mounts Available

APPLICATIONS

- Outdoor Pole Mounted

REPLACES

- 400W
- 1000W



info@bcledonline.com bcledonline.com 250-718-8100

PRODUCT SPECIFICATIONS

CRI (ra)	>70
Rated Life (Hours)	50,000+
Warranty	5 Years
Certification	UL, cUL, DLC
Operating Temperature	-4°F - 113°F
IP Rating	65

ORDERING INFORMATION

EXAMPLE: ZONE2-02-240W-UNV-50KT3-DP-DM

Model	Series	Wattage	Voltage	Color Temperature	Optics	Performance	Mount
ZONE2	02	185W (25,202lm, 137 lm/W) 240W (31,295lm, 128 lm/W) 240W (33,359lm, 135 lm/W) 240W (30,785lm, 131 lm/W) 300W (39,390lm, 127 lm/W) 300W (38,944lm, 121 lm/W)	UNV (120v-277v) 480 (347-480v)	40K (4000K) 50K (5000K STD) 57K (5700K)	T3	blank (STD Performance) DP (HIGH Performance)*	SF (Slip Fitter) DM (Direct Mount) YM (Yoke Mount) FM (Flood Mount) IM (Insert Mount) TM (TM Mount)

Bold options denote 480V

*High Performance only available in 240W UNV model, DLC Premium

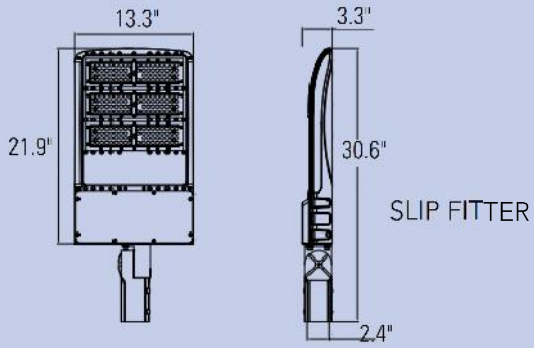


Qualified pointing straight down

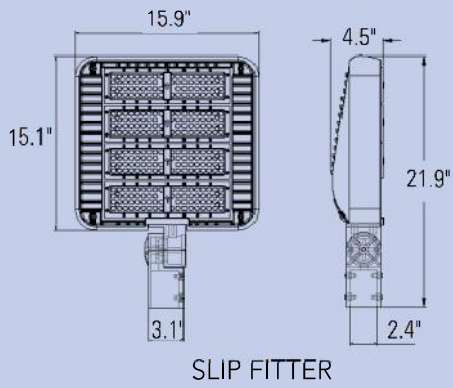


info@bcledonline.com bcledonline.com 250-718-8100

ZONE 2 185W & 240W



ZONE 2 300W



info@bcedonline.com bcedonline.com 250-718-8100

LUMINOUS ZONE3 LED SHOEBOX

FEATURES

- High Luminous Efficacy 128 lm/W+
- Multiple Mounts Available
- High Lumen Packaged at 50,000+ Lumens

APPLICATIONS

- Outdoor Pole Mounted

REPLACES

- 1000W
- 1500W



PRODUCT SPECIFICATIONS

CRI (ra)	>80
Rated Life (Hours)	50,000+
Warranty	5 Years
Certification	UL, cUL, DLC
Operating Temperature	-4°F - 113°F
IP Rating	65

ORDERING INFORMATION

EXAMPLE: ZONE3-02-400W-UNV-50KT3-DM

Model	Series	Wattage	Voltage	Color Temperature	Optics	Mount
ZONE3	02	400W (53,464lm, 137 lm/W) 480W (61,428lm, 130 lm/W) 480W (63,921 lm, 138 lm/W)	UNV (120v-277v) 480 (347-480v)	40K (4000K) 50K (5000K STD) 57K (5700K)	T3 (Type III)	SF (Slip Fitter) DM (Direct Mount) YM (Yoke Mount)

Bold options denote 347v-480v availability.

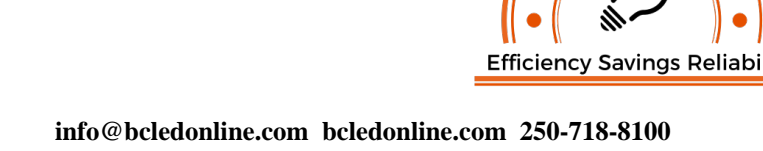
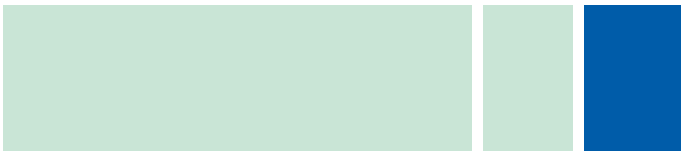
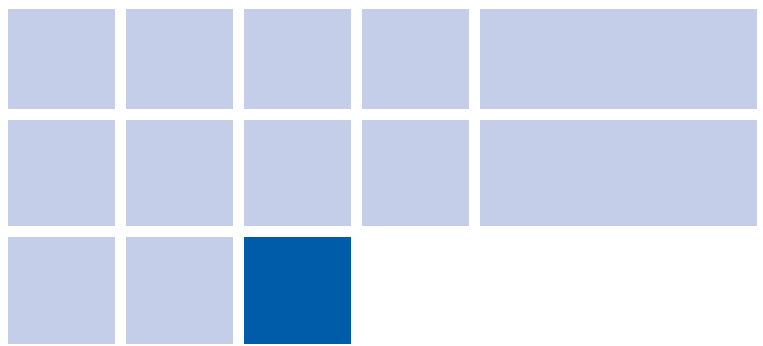
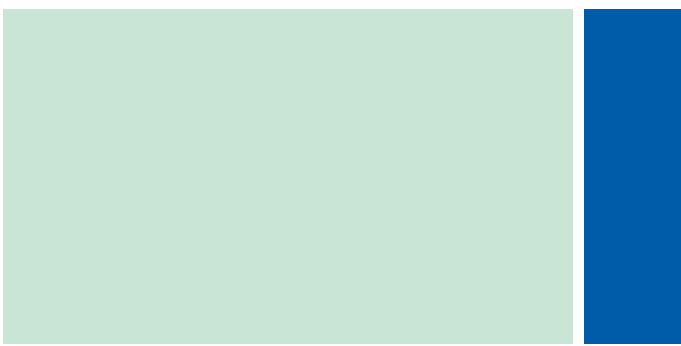
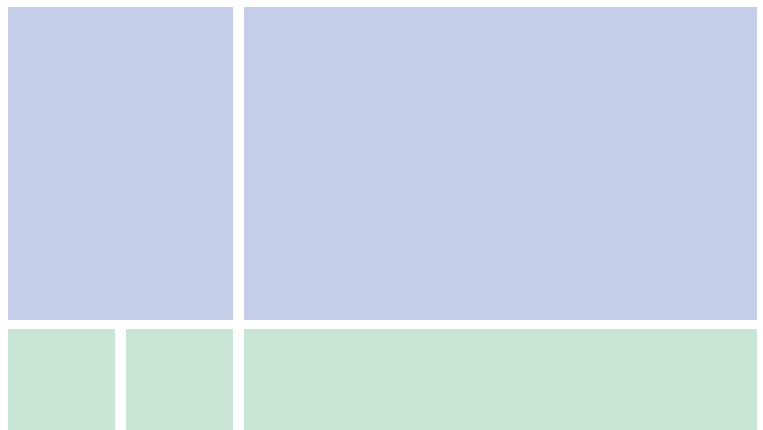
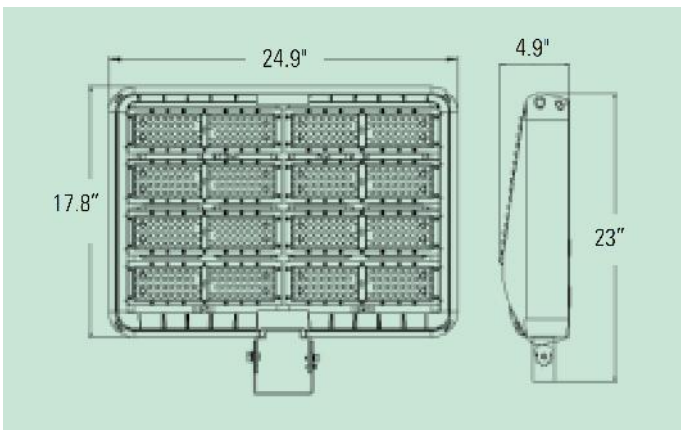
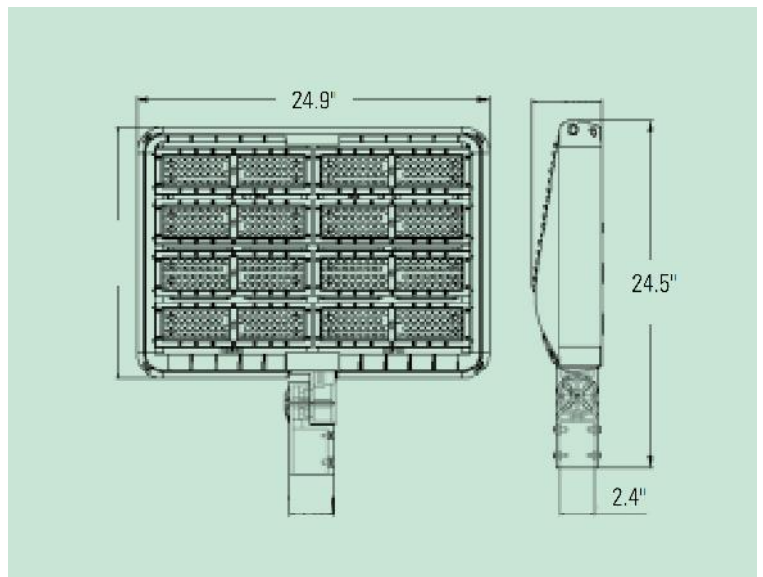
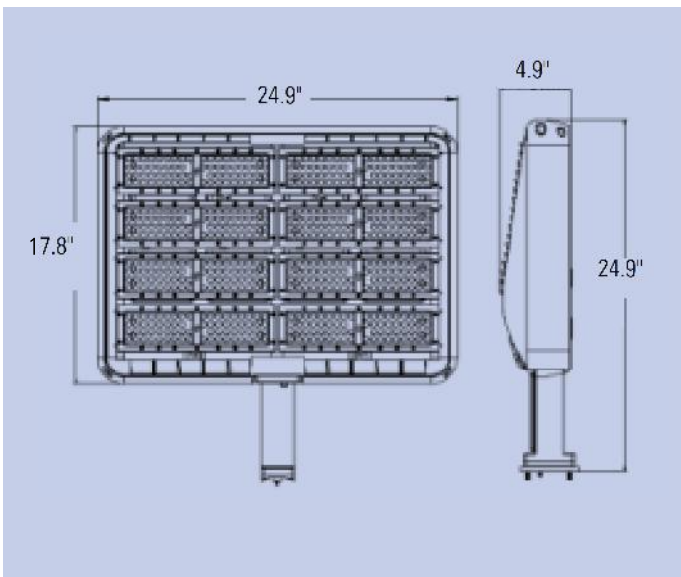


Qualified pointing straight down



info@bcledonline.com bcledonline.com 250-718-8100

400W AND 480W



info@bcledonline.com bcledonline.com 250-718-8100