

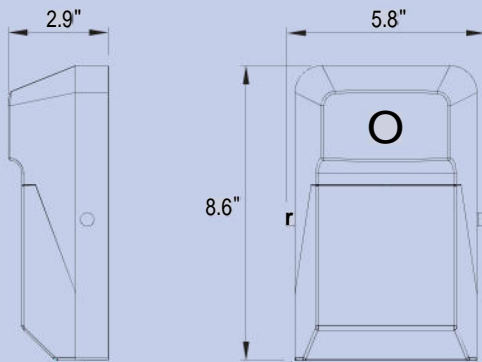
LUMINOUS CUBE LED WALL PACK

FEATURES

- Epistar 2835 chips
- Photocell Standard
- Black Housing

APPLICATIONS

- Light commercial
- Entry Area Lighting



PRODUCT SPECIFICATIONS

CRI (ra)	>80
Rated Life (Hours)	50,000+
Warranty	5 Years
Certification	UL, cUL, DLC
Operating Temperature	-4°F - 113°F
IP Rating	65

ORDERING INFORMATION

EXAMPLE: CUBE-02-15W-UNV-40K110

Model	Series	Wattage	Voltage	Color Temperature	Optics
CUBE	02	9W (1,012lm, 112 lm/W) 15W (1,648 lm, 110 lm/W) 20W (2,147lm, 109lm/W)	UNV (120v-277v)	30K (3000K) 35K (3500K) 40K (4000K) 45K (4500K) 50K (5000K STD) 57K (5700K)	110



Efficiency Savings Reliability

info@bcledonline.com bcledonline.com 250-718-8100

LUM-SP-001
REV 3- 21SEP2017